

354W1-24-SD

90 Watt, isolated, single output buck-boost converter

All parameters defined on $T_a=25^{\circ}\text{C}$, $I_{oNom} = 3,8 \text{ ADC}$ and $U_{iNom} = 80\text{VDC}$

ABSOLUTE MAXIMUM RATINGS

parameter	unit	typ
Input peak voltage	VDC	170.00
Feedback protection against overvoltage on the output	VDC	36

THERMAL CHARACTERISTICS

parameter	min to max	typ
Ambient temperature range	$-40^{\circ}\text{C} / +85^{\circ}\text{C}$	
Max. case temperature for thermal shut down [$^{\circ}\text{C}$]		$+90^{\circ}\text{C}$
Storage temperature [device not in operation]	$-10^{\circ}\text{C} / +65^{\circ}\text{C}$	
Relative maximum humidity under storage		75% RH
Storage under worst conditions [in days]		25

COMMUNICATION INTERFACE

parameter	unit	fulfilled	min to max
Option shut down [left open for operation]		✓	

SPECIALS

parameter	unit	fulfilled	conditions	typ
Switching frequency	kHz			120
Efficiency at medium loads	%		$0.5I_{oNom}$	91.00
Efficiency at full loads	%		I_{oNom}	90.00
For active loads or parallel connection		✓		
Drives high capacitive loads		✓		
Coupling capacitance input to output	nF			transformer winding only
Insulation strength primary to secondary	VDC			500

COMPLIANCE

parameter	fulfilled	notes
61000-4-4 [immunity against burst - electrical fast transients]	✓	
61000-4-5 [immunity against surge - high energy surges]	✓	
61000-4-6 [immunity against induced, conducted disturbances]	✓	
61000-6-4 [EMC - Emission standard for industrial environment]	✓	
55022<A	✓	
50155	✓	

All technical and general information is provided in all conscience. However, completeness and accuracy cannot be guaranteed. Demke recommends to fully test the product in its determined application. Due to permanent improvements to our products, we reserve the right to change specifications at any time and without prior notification and without obligation to update products already supplied. This is a component for professional equipment manufacturers. Read the safety and installation instruction for proper use. Safety aspect and EMC-aspect must be considered in the end application.

354W1-24-SD

90 Watt, isolated, single output buck-boost converter

INPUT

parameter	unit	conditions	min	typ	max
Input voltage range	VDC	IoNom	16	80	160
No load input current	mA	UiNom		27	
Max. input current	A	UiNom		6	
Input start up voltage	VDC	UiNom		15.5	
Undervoltage lockout	VDC	UiNom		13.5	
Input quiescent current in shutdown mode	mA	UiNom		3.00	
Input current overshoot during soft start ramp up	%	IoNom		100	
Generated AC-ripple on the supply [BW=20MHz]	mVp-p	UiNom/loNom		600	
Generated HF-noise on the supply [BW=20MHz]	mVp-p	UiNom/loNom		100	
Typical input noise slew rate [BW=500MHz]	mVp-p	UiNom/loNom		580	

OUTPUT

parameter	unit	conditions	min	typ	max
Output voltage	VDC	IoNom		24.0	
No Load output voltage increase	%	UiNom		4	
Minimum required load to obtain the specified output voltage	%	UiNom		0	
Generated AC-ripple on the output [BW=20MHz]	mVp-p	UiNom/loNom		80	
Generated HF-noise on the output [BW=20MHz]	mVp-p	UiNom/loNom		600	
Typical output noise slew rate [BW=500MHz]	mVp-p	UiNom/loNom		265	
Output voltage accuracy	%	IoNom		+/-2,00%	
Output voltage overshoot at initial switch-on	%	IoNom		overdamped	
Rated output power	W			90	

CONTROL

parameter	unit	conditions	min	typ	max
Static line regulation	%	IoNom/UiMin...UiMax		0.02	
Static load regulation	%	IoMin...IoMax/UiNom		1.4	
Dynamic load change adjusting time	ms	LoadChange 10...90%		0.30	
Maximum admissible capacitive load	uF	IoNom		infinite	
Initial switch on time	ms	IoNom		35	
Softstart ramp up time	ms	IoNom		15	

All technical and general information is provided in all conscience. However, completeness and accuracy cannot be guaranteed. Demke recommends to fully test the product in its determined application. Due to permanent improvements to our products, we reserve the right to change specifications at any time and without prior notification and without obligation to update products already supplied. This is a component for professional equipment manufacturers. Read the safety and installation instruction for proper use. Safety aspect and EMC-aspect must be considered in the end application.

354W1-24-SD

90 Watt, isolated, single output buck-boost converter

MECHANICAL parameter

parameter	unit	
Overall dimensions	mm	77x52x19
Weight	g	166

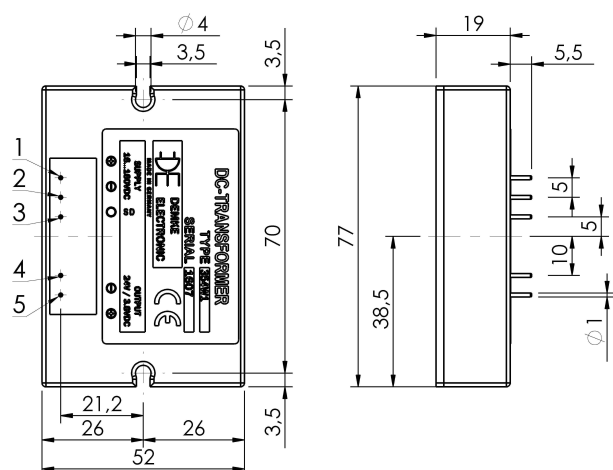
Pin No.	Function	Electrical Determination
1	Vi+	Input voltage positive
2	Vi-	Input voltage negative
3	SD	Shut down
4	Vo-	Output voltage negative
5	Vo+	Output voltage positive

Mechanical dimensions and Pin configuration

All dimensions in mm

Connector type: THT

Case: FMC 77x52x19



All technical and general information is provided in all conscience. However, completeness and accuracy cannot be guaranteed. Demke recommends to fully test the product in its determined application. Due to permanent improvements to our products, we reserve the right to change specifications at any time and without prior notification and without obligation to update products already supplied. This is a component for professional equipment manufacturers. Read the safety and installation instruction for proper use. Safety aspect and EMC-aspect must be considered in the end application.